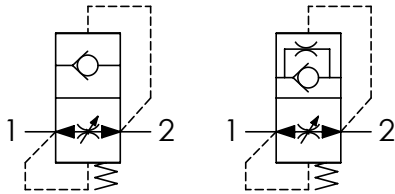




SCHEMA IDRAULICO / HYDRAULIC CIRCUIT



CON FORO
(WITH ORIFICE)

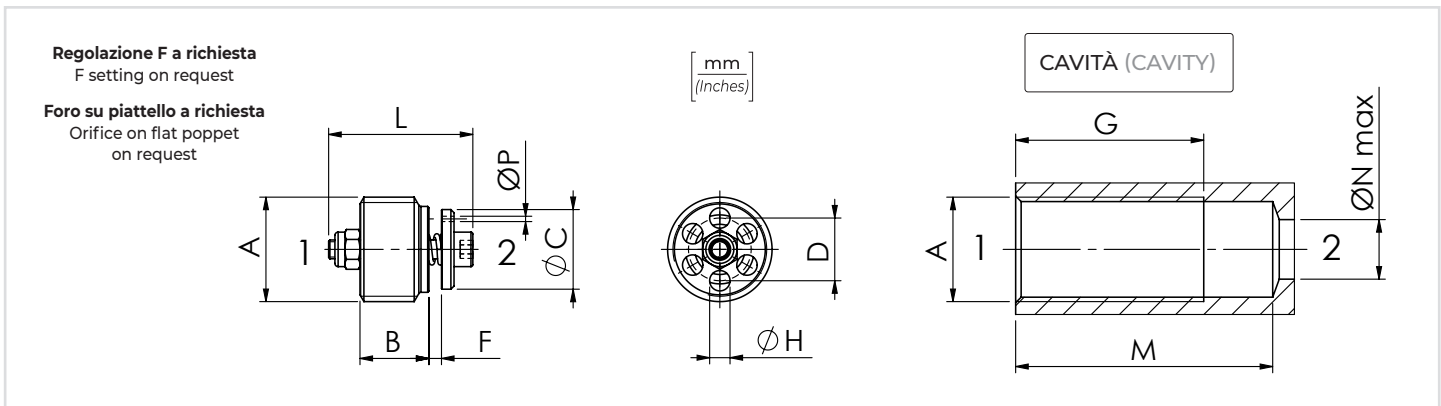
CODICE ORDINAZIONE ORDERING CODE

01	02	03	04
VUBA			

01	VALVOLE DI SICUREZZA PER TUBAZIONI (HOSE BURST VALVES)	VUBA	
02	DIMENSIONE (SIZE)	BSPP 1/4	140
		BSPP 3/8	380
		BSPP 1/2	120
		BSPP 3/4	340
		BSPP 1	100
03	REGOLAZIONE (SETTING)	Esempio: regolazione 0,7 mm (Example: setting 0.7 mm) F 0,7	F__
		Omettere se non richiesto (Omit if not required)	
04	FORO SUL PIATTELLO (ORIFICE ON FLAT POPPET)	Esempio: foro 1,5 mm (Example: hole 1.5 mm) P 1,5	P__
		*Omettere se non richiesto (Omit if not required)	

*Se ommesso questo valore, le valvole vengono fornite senza alcuna taratura di fabbrica e i dadi non sono serrati. Per garantire il loro corretto funzionamento è necessario che venga eseguito il settaggio da parte dell'installatore finale.

If omitted this value, the valves are supplied without factory setting and nuts are not tightened. For the correct operating it is needed a calibration of the valve made by final installer.



DATI TECNICI / TECHNICAL DATA

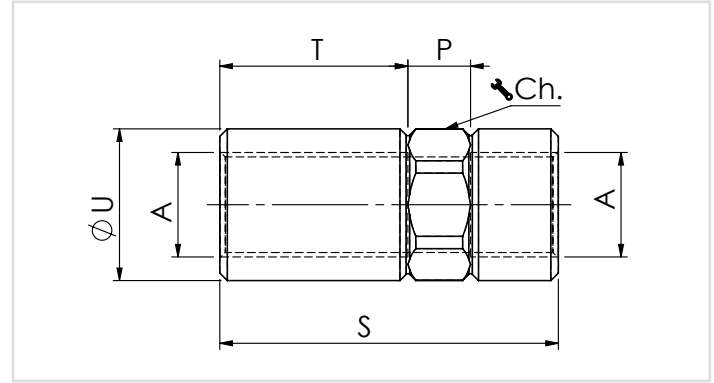
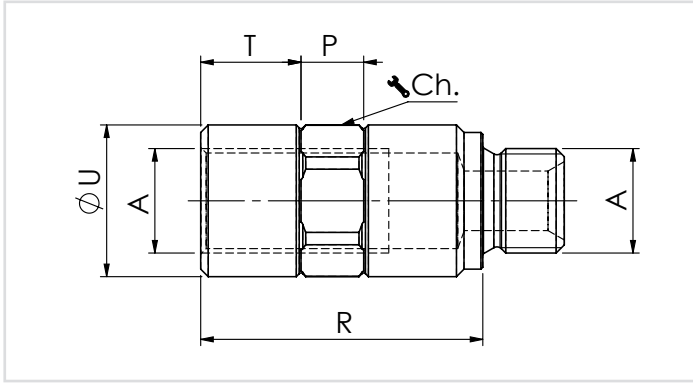
Olio idraulico - Mineral oil	ISO 6743/4 (DIN 51524)
Viscosità olio - Oil viscosity	15-250 mm ² /s (15 to 250 cSt)
Classe di contaminazione max con filtro Max contamination index with filter	ISO 4406:1999 Classe 19/17/14
Temperatura dell'olio - Oil temperature	-20°C +80°C -4°F +176°F
Temperatura ambiente - Ambient temperature	-20°C +50°C -4°F +122°F
È indispensabile l'utilizzo di un filtro per proteggere la valvola (filtrazione consigliata 15 µm) It is necessary a filter use to protect the valve (advised filtration 15 µm)	
Trafilamento massimo Max leakage	0,25 cm ³ /min - 5 gocce/min 0,015 in ³ /min - 5 drops/min

**CHIAVE
TOOL**

Dimensione/Dimensions		
Tipo chiave Tool's Type	Tipo Type	Peso/Weight kg-lbt
61700001	VUBA140	0,12 (0.27)
61700002	VUBA380	0,13 (0.29)
61700003	VUBA120	0,15 (0.33)
61700004	VUBA340	0,18 (0.40)

CARATTERISTICHE TECNICHE / TECHNICAL CHARACTERISTICS

TIPO TYPE	A	PORTATA MAX MAX FLOW l/min-USgpm	PRESSIONE MAX MAX PRESSURE bar-PSI	B	C	D	G	H	L	M	N	COPPIA DI SERRAGGIO TIGHTENING TORQUE Nm-lbt ft	PESO APPROX APPROX WEIGHT kg-lbt
VUBA140	BSPP 1/4	25 (6.6)	350 (5075)	8,2 (0.32)	10,4 (0.41)	8 (0.31)	25 (0.98)	2,5 (0.10)	19 (0.75)	35 (1.38)	7 (0.28)	2 (1.5)	0,008 (0.017)
VUBA380	BSPP 3/8	50 (13.2)		11 (0.43)	12,7 (0.50)	10 (0.39)	30 (1.18)	3,25 (0.13)	23 (0.90)	41 (1.61)	9,5 (0.37)	3 (2.5)	0,014 (0.030)
VUBA120	BSPP 1/2	80 (21.1)		13 (0.51)	15 (0.59)	11,5 (0.45)	33 (1.30)	4 (0.16)	29 (1.14)	46 (1.81)	12 (0.47)	4 (3)	0,025 (0.055)
VUBA340	BSPP 3/4	150 (39.6)		18 (0.71)	18 (0.71)	14,5 (0.57)	42 (1.65)	5,2 (0.20)	34 (1.34)	55 (2.17)	16 (0.63)	10 (7.5)	0,054 (0.12)
VUBA100	BSPP 1	180 (47.5)		20 (0.79)	26 (1.02)	19 (0.75)	48 (1.89)	7 (0.28)	40 (1.57)	63 (2.48)	22 (0.87)	12 (9)	0,1 (0.22)



COLONNETTE - HOUSINGS M/F

TIPO TYPE	A	R	P	T	U	Ch.	PESO APPROX APPROX WEIGHT kg-lbt
61100087	BSPP 1/4	39 (1.53)	10 (0.39)	13 (0.51)	20.5 (0.80)	19	0.07 (0.16)
61100088	BSPP 3/8	45 (1.77)	10 (0.39)	16 (0.63)	24.5 (0.96)	22	0.10 (0.22)
61100089	BSPP 1/2	52 (2.05)	10 (0.39)	19 (0.75)	29.5 (1.16)	27	0.17 (0.37)
61100090	BSPP 3/4	61 (2.40)	12 (0.47)	23 (0.90)	35.5 (1.32)	32	0.26 (0.57)
61100091	BSPP 1	67 (2.63)	15 (0.59)	25.5 (1)	44.5 (1.75)	41	0.4 (0.88)

COLONNETTE - HOUSINGS F/F

TIPO TYPE	A	S	P	T	U	Ch.	PESO APPROX APPROX WEIGHT kg-lbt
61100092	BSPP 1/4	48 (1.89)	10 (0.39)	13 (0.51)	20.5 (0.80)	19	0.09 (0.20)
61100093	BSPP 3/8	54 (2.13)	10 (0.39)	30 (1.18)	24.2 (0.95)	22	0.11 (0.24)
61100094	BSPP 1/2	73 (2.87)	10 (0.39)	46.5 (1.83)	29.2 (1.14)	27	0.20 (0.44)
61100095	BSPP 3/4	74 (2.91)	12 (0.47)	44 (1.73)	35.5 (1.32)	32	0.27 (0.59)

TARATURA SETTING mm	Portata (l/min) - Flow rate (Usgpm) Tolleranza ± 10% - Tolerance ± 10%				
	VUBA140	VUBA380	VUBA120	VUBA340	VUBA100
0	0	0	0	0	0
0,1	3,0 (0,8)	3,0 (0,8)	4,0 (1,1)	9,0 (2,4)	3,5 (0,9)
0,2	6,0 (1,6)	6,0 (1,6)	8,0 (2,1)	18,0 (4,8)	7,0 (1,8)
0,3	9,3 (2,5)	10,0 (2,6)	12,7 (3,3)	25,3 (6,7)	12,0 (3,2)
0,4	12,7 (3,3)	14,0 (3,7)	17,3 (4,6)	32,7 (8,6)	17,0 (4,5)
0,5	16,0 (4,2)	18,0 (4,8)	22,0 (5,8)	40,0 (10,6)	22,0 (5,8)
0,6	17,0 (4,5)	20,5 (5,4)	26,5 (7,0)	48,5 (12,8)	27,5 (7,3)
0,7	18,0 (4,8)	23,0 (6,1)	31,0 (8,2)	57,0 (15,0)	33,0 (8,7)
0,8	19,2 (5,1)	25,0 (6,6)	34,0 (9,0)	61,7 (16,3)	39,0 (10,3)
0,9	20,3 (5,4)	27,0 (7,1)	37,0 (9,8)	66,3 (17,5)	45,0 (11,9)
1	21,5 (5,7)	29,0 (7,7)	40,0 (10,6)	71,0 (18,7)	51,0 (13,5)
1,1	22,3 (5,9)	30,0 (7,9)	42,5 (11,2)	77,0 (20,3)	53,5 (14,1)
1,2	23,0 (6,1)	31,0 (8,2)	45,0 (11,9)	83,0 (21,9)	56,0 (14,8)
1,3	23,7 (6,2)	32,3 (8,5)	47,7 (12,6)	88,7 (23,4)	60,7 (16,0)
1,4	24,3 (6,4)	33,7 (8,9)	50,3 (13,3)	94,3 (24,9)	65,3 (17,2)
1,5	25,0 (6,6)	35,0 (9,2)	53,0 (14,0)	100,0 (26,4)	70,0 (18,5)
1,6	25,4 (6,7)	36,4 (9,6)	55,8 (14,7)	106,0 (28,0)	72,4 (19,1)
1,7	26,0 (6,9)	37,0 (9,8)	58,6 (15,5)	111,0 (29,3)	74,8 (19,7)
1,8	26,3 (7,0)	38,7 (10,2)	61,4 (16,2)	116,0 (30,6)	77,2 (20,4)
1,9	26,7 (7,0)	40,3 (10,6)	64,2 (16,9)	120,0 (31,7)	79,6 (21,0)
2	27,0 (7,1)	42,0 (11,1)	67,0 (17,7)	124,0 (32,7)	82,0 (21,6)